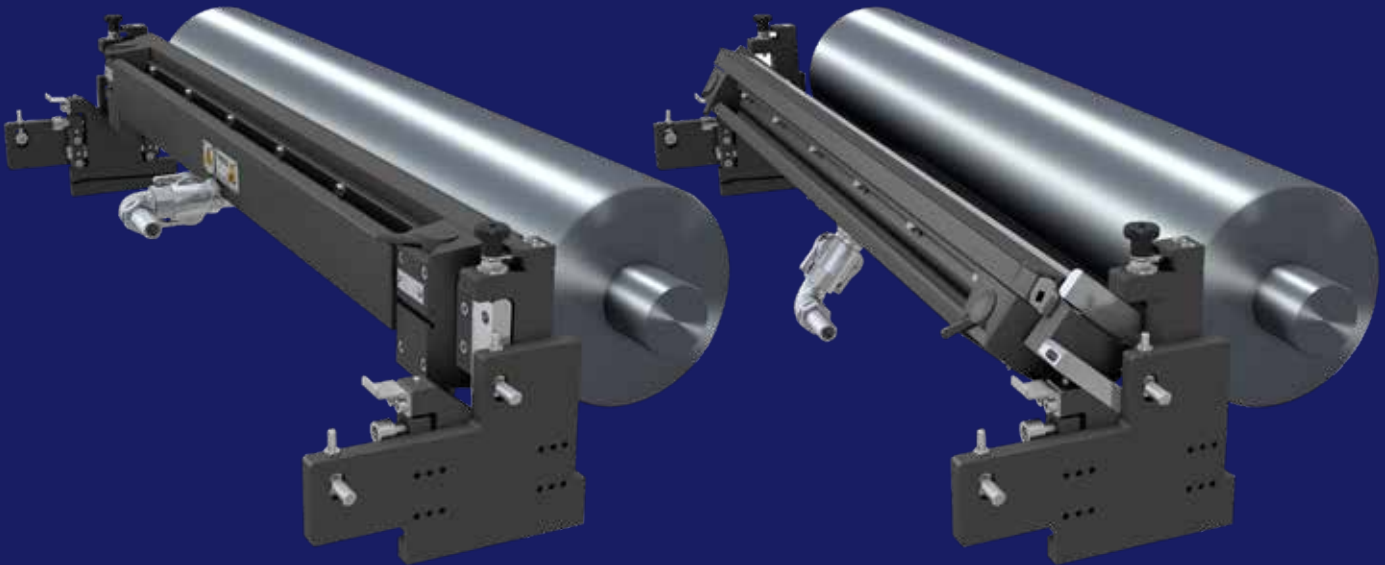


# TRESU FlexiPrint Basic

Competitive Chamber Doctor Blade System



## Basic competitive, efficient and compact chamber design

- Fixed mechanical chamber positioning
- Compact and robust design with excellent price-performance ratio and low Cost-to-Print (CTP)
- Proven TRESU E-Line clamping system with the fastest change of doctor blades and effective quality doctoring
- Genuine TRESU end seals guaranteeing authentic quality
- WB, UV, solvent based inks and coatings

# TRESU FlexiPrint

## Basic Competitive Chamber Doctor Blade System



### TECHNICAL SPECIFICATIONS

Anilox width	From 80 up to 1,200 mm ( 3"- 47"). Up to 2,000 mm on request (78").
Anilox diameter	From 60 – 400 mm (2" – 15").
Speed	Up to 300 m/min (Up to 975 ft/min). Up to 2,000 mm on request (78").
Print mode	Conventional flow control. TRESU pressure control technology.
Clamping	E-Line quick clamping solutions or optional P-Line quick clamping solutions or optional S-Line screw clamping solutions.
Design	High quality doctoring for perfect printing and coating with the TRESU Easy Loc mechanical loading system. To be adapted to all TRESU ink and coating systems as well as systems from other OEM machine manufacturers.
Materials and surface	Aluminum, hard anodized, HA-S (pH 4.5 - 9). Teflon, coated (pH 4.5 - 9). Ceramic, coated (TRESU Ceraflex) pH 2.5 - 12. Carbon fiber (CFRP - TRESU CFC), pH2.5 - 12.
Ink/coatings	WB, UV or solvent based inks and coatings.

### TRESU FlexiPrint Chamber Doctor Blade System

#### Clamping system

Eccentric E-Line or pneumatic P-Line quick change mechanism ensures even and precise blade clamping with rapid and easy action - up to 2,000 mm (78").

#### Ink and coating circulation:

High uniform print quality and stable production can be achieved in combination with TRESU pressure controlled pumping systems.

#### Surface and materials:

Aluminum with hard anodized surface (HA-S) treatment is recommended for most applications.

Aluminum with ceramic (TRESU CFX) coated surface is used for aggressive ink, coating or detergent.

For non-solvent applications with a focus on easy cleaning teflon is recommended. TRESU CFC lightweight carbon fiber chambers with ink repellent surface are recommended for corrugated pre-print and wide web applications.

Genuine TRESU end seals ensure correct sealing in various applications

**Other:** Prepared for ATEX.