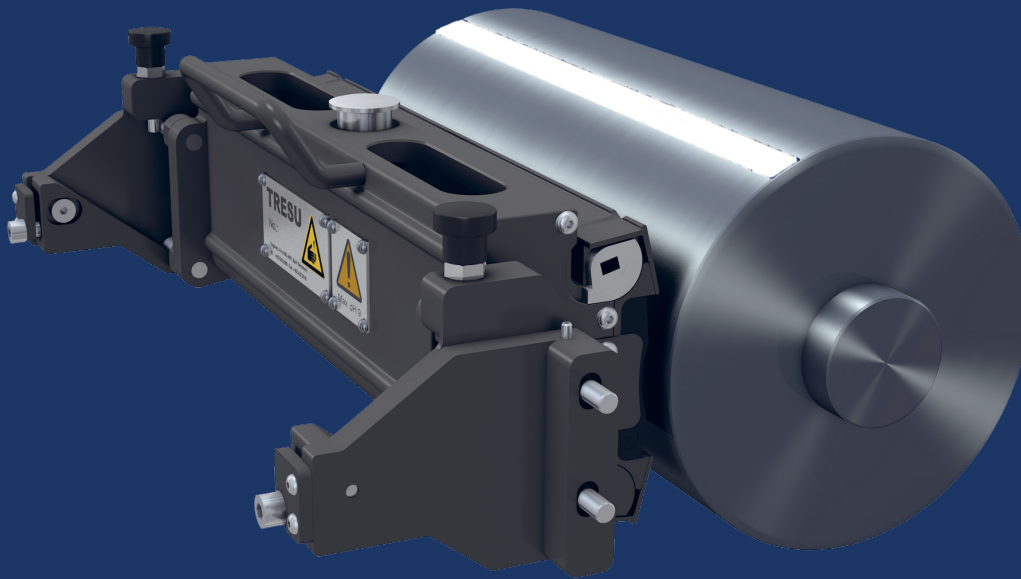


TRESU

TRESU FlexiPrint Reservoir

Fast Job Changes with Chamber Cassettes



Meet TRESU at Hall 10B41

Fast job changes and less ink consumption

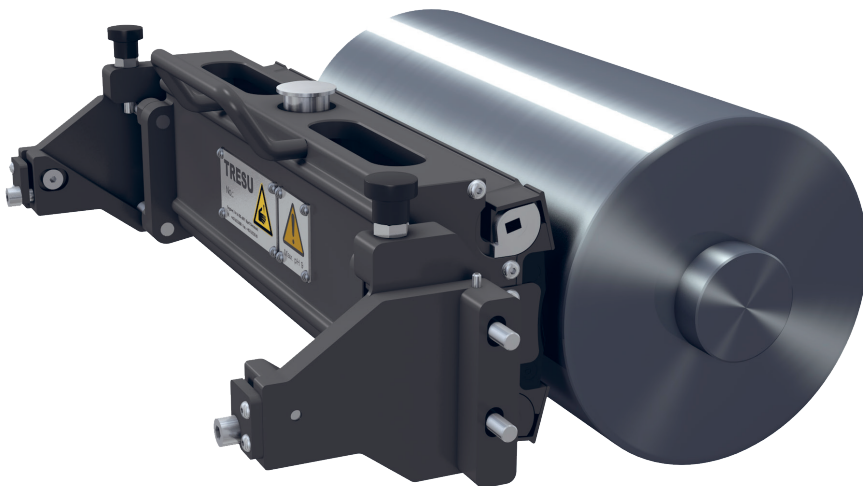
- Mechanical chamber positioning
- Easy load cassette and no circulation pump needed. Cassettes filled manually and stored with remaining ink
- Standardized, compact design with excellent price-performance ratio and low Cost-to-Print (CTP)
- Patented TRESU E-Line quick clamping system with the fastest change of doctor blades and effective quality doctoring
- Patented TRESU end seals guaranteeing authentic quality
- WB, UV, solvent based inks and coatings

www.tresu.com - Sign up and stay connected



TRESU FlexiPrint Reservoir

Fast job changes, less ink consumption, more efficient



TECHNICAL SPECIFICATIONS

Anilox width	Up to 800 mm (31.5").
Anilox diameter	From 60 – 150 mm (2.3" – 5.9").
Speed	Up to 300 m/min (984 ft/min).
Print mode	No ink and coating circulation pump needed. Cassette filled manually and stored with remaining ink.
Clamping	E-Line quick clamping solutions.
Materials and surface	High quality doctoring for perfect printing and coating with the TRESU Easy Loc mechanical loading system. To be adapted to all TRESU ink and coating systems as well as systems from other OEM machine manufacturers.
Materials and surface	Aluminum with HA-S or Ceraflex.
Ink/coatings	WB, UV or solvent based inks and coatings.

TRESU FlexiPrint Reservoir Doctor Blade System with patented genuine TRESU seals ensure perfect sealing.

Clamping system

E-Line: Eccentric, quick clamping solution.

Option:

S-Line: Screw clamping solution for special coatings and glue.

No ink and coating circulation pump needed: Cassettes filled manually and stored with remaining ink.

Surface and materials:

Aluminum with hard anodized surface treatment.

Aluminum with Ceraflex (CFX) surface treatment.

Patented TRESU end seals ensure authentic sealing.

Other:

ATEX applications.