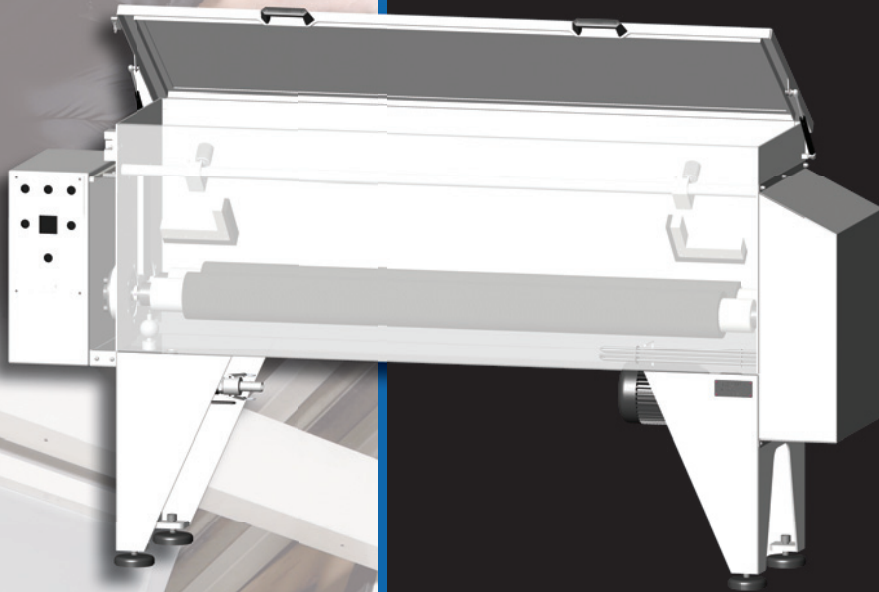
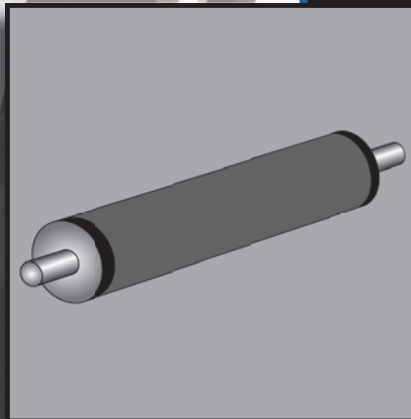


TRESU Anilox Wash Anilox Roller Washing Maschine



- *Offline Washing Mashine for anilox roller*
- *For all water based cleaning detergents (recomended is TRESU Wash & Print)*
- *Cleaning by combination of warm cleaning liquid and brush rotation*
- *Adjustable cleaning timer and temperature*
- *For all anilox roller from 70-350 mm*
- *Effective cleaning with very good price - performance relationship*



Technical Specifications

Height:	1200 mm
Width:	500-2400 mm
Depth:	480 mm
Weight:	Ca. 300 kg
Voltage:	3 x 380 - 415 V, 50 Hz
Capacity:	40 L
Operation temperature:	0 - 40°C

- the printer's choice -

TRESU A/S

Eggsvej 14-16 . DK 6091 Bjert
Tel.: +45 76 32 35 00 . Fax: +45 76 32 35 10

tresu@tresu.com · www.tresu.com

A523EN0805

